

# POWER YOUR FUTURE

## Cummins Generator LG22C

# 4B3.9-G2

Prime Power: 22KW/27.5KVA

Standby Power: 24.2KW/30.25KVA



## GENERATING POWER SOLUTIONS

### **Increased availability for new operations**

Reliable, robust and versatile generator.  
Ready to deliver power for a next job.

### **Increased uptime during operations**

Once installed on the end-user-site, the generator will be ready to run: "peace of mind" operation.

### **Reduced transport and installation costs**

The compact and robust design with integrated transport features enables faster and safer transport and installation.

### **Reduced service & maintenance costs**

Longer service intervals.  
Quicker and more efficient service jobs.

### **Premium resale value**

Designed and built to last.

### **SAFETY**

- Operate safely in accordance with proper operation manual.
- To prevent trouble and accidents, perform daily and preventive maintenance checks without fail.

## Cummins Series

25KVA--2000KVA



## FUAN LONGKAI POWER CO.,LTD.

### Headquarters:

Add: Wei 5 Road, Tiehu Industrial Zone, Fuan, Fujian, China

Tel: +86-0593-6309773 Fax: +86-0593-6586988

E-mail: sales@longkaipower.com

Web: www.longkaipower.com

## Technical Data

Model		LG22C
Rated prime power	kva	27.5
Rated standard power	kva	0.25
Rated voltage line to line	V	400/230
Rated current	A	40
Maximun sound level	dB(@7m)	96

### Engine-DCEC Cummins

Model	4B3.9-G2	
Aspiration	normally aspirated	
Fuel system	North oil A pump /RSV	
No. cylinders	4 in line	
Displacement	Liquid	3.9
Bore*Stroke	mm	102*120
Compression ratio	18.0:1	
Rated speed	r/min	1500
Rated net power(with fan)	Kw	24
Governor type	chanical speed governors	
Start Motor	V	24

### Exhaust System

Exhaust gas flow	litre/sec	71
Exhaust gas temp	°C	410
Max back pressure	kPa	10

### Aspiration System

Max inlet pressure	kPa	/
Combustion volume	m <sup>3</sup> /min	/
Air flow	litre/sec	32.9

### Fuel System

100% load(Prime power)	L/h	6.7
75% load(Prime power)	L/h	5.2
50% load(Prime power)	L/h	3.9
Fuel tank capacity	L	100

### Lubrication System

Oil capacity	L	10.9
Oil consumption	g/kwh	0.5
Oil pressure	kPa	207-345
(continuous operation)		

### Cooling System

Coolant capacity	L	7.2
Thermostat operation range	°C	82-95
Max water temperature	°C	104

### Alternator

Model	LONGKAI	LK184F
	STAMFORD	PI144F-SOL2-P1
Phase	3	
Voltage	V	400/230
Wiring Type	3 Phase 4 wire, Y type	
Bearing	1	
Power factor	0.8	
Frequency	Hz	50
Prime power	KW	22
Exciter Type	Brushless, self-excitation	
Voltage regulation	%	±0.5
Protection Grade	IP 23	
Insulation grade	H/H	
Altitude	m	≤1000

### Controller-DEESEA

Model	DSE6120MK3
-------	------------

Protective functions:

- Low oil pressure
- High water temperature
- High/low voltage
- High Engine Temperature and Overspeed.
- Voltage regulator frequency regulator
- Emergency stop
- Start failure



### Control Module Options



- Auto generator control module
- Control module with " Three Remote Control " functions
- ATS auto load transfer screen
- Synchronising control modules
- Power output cabinet

### Standard Features

- Engine(DCEC Cummins)
- Radiator 50°C max,fans are driven by bel
- 24V charge alternator
- Alternator: single bearing alternator IP23, insulation class H/H
- Standard auto control system
- One set of air filter, fuel filter, oil filter
- Main line circuit breaker/MCCB
- Base fuel tank
- Two 24V batteries, rac and cable
- Exhaust system(Ripple flex exhaust pipe, exhaust siphon, flange, muffler)
- User manual

### Options

- Battery charge
- Engine heater
- Alternator heater
- PMG
- Water oil separator
- Daily fuel tank
- Remote control panel
- Automatic transfer switch/ATS
- Switch box
- Standard: ●                      Options:○

### Warranty\*

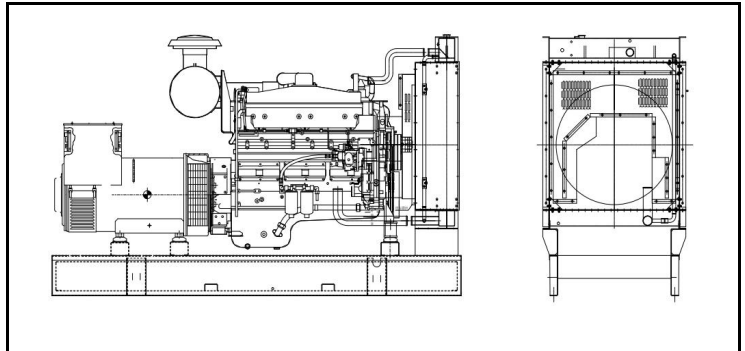
#### Cummins Engine

12 months from date of purchase and 1000 hours.

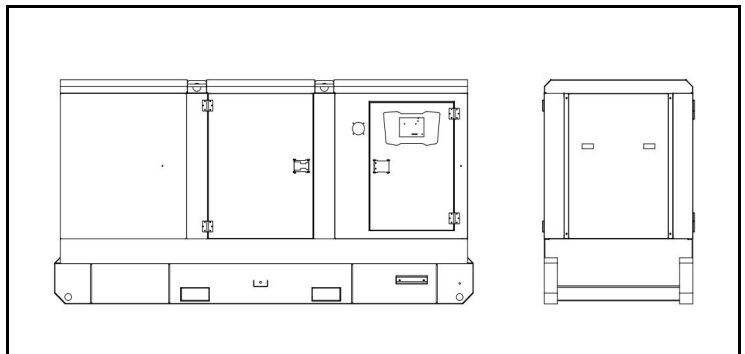
#### Generator

12 months from date of purchase or 1000 hours (whichever occurs first).

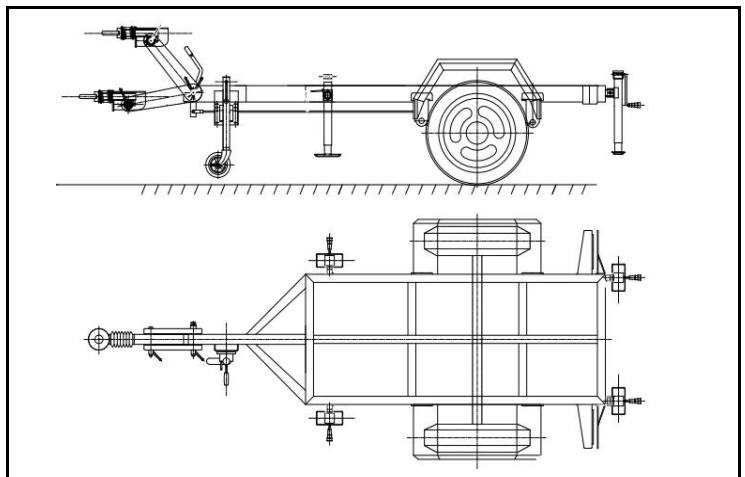
### Unit Dimensions(Basic unit)



<b>Open Type</b>		
L*W*H	mm	1850*800*1160
Weight	kg	800



<b>Silent Type</b>		
L*W*H	mm	2380*1000*1450
Weight	kg	1200



<b>Trailer Option</b>		
L*W*H	mm	3300*1750*950
Max loading weight	kg	1050