

POWER YOUR FUTURE

Cummins Generator LG250C

QSNT-G1

Prime Power: 250KW/313KVA

Standby Power: 280KW/350KVA



GENERATING POWER SOLUTIONS

Increased availability for new operations

Reliable, robust and versatile generator.
Ready to deliver power for a next job.

Increased uptime during operations

Once installed on the end-user-site, the generator will be ready to run: "peace of mind" operation.

Reduced transport and installation costs

The compact and robust design with integrated transport features enables faster and safer transport and installation.

Reduced service & maintenance costs

Longer service intervals.
Quicker and more efficient service jobs.

Premium resale value

Designed and built to last.

SAFETY

- Operate safely in accordance with proper operation manual.
- To prevent trouble and accidents, perform daily and preventive maintenance checks without fail.

Cummins Series

25KVA--2000KVA



FUAN LONGKAI POWER CO.,LTD.

Headquarters:

Add: Wei 5 Road, Tiehu Industrial Zone, Fuan, Fujian, China

Tel: +86-0593-6309773 Fax: +86-0593-6586988

E-mail: sales@longkaipower.com

Web: www.longkaipower.com

Technical Data

Model		LG250C
Rated prime power	kva	313
Rated standard power	kva	350
Rated voltage line to line	V	400/230
Rated current	A	451
Maximun sound level	dB(@7m)	≤100

Engine-DCEC Cummins

Model		QSNT-G1
Aspiration	Six cylinders, four strokes, inline	
Fuel system		PT
No. cylinders		6 in line
Displacement	Liquid	14
Bore*Stroke	mm	140*152
Compression ratio		14.0: 1
Rated speed	r/min	1500
Rated net power(with fan)	Kw	282
Governor type		EFC Electrical
Start Motor	V	24

Exhaust System

Exhaust gas flow	L/s	980
Exhaust gas temp	°C	485
Max back pressure	kPa	10

Aspiration System

Max inlet pressure	kPa	100
Combustion volume	L/s	/
Air flow	L/s	375

Fuel System

100% load(Prime power)	L/h	71.4
75% load(Prime power)	L/h	54.3
50% load(Prime power)	L/h	38.2
Fuel tank capacity	L	520

Lubrication System

Oil capacity	L	38.6
Oil consumption	L/h	≤0.24
Oil pressure	kPa	103
(continuous operation)		

Cooling System

Coolant capacity	L	9.5
Thermostat operation range	°C	82-93
Max water temperature	°C	100

Alternator

Model	LONGKAI	LK444ES
	STAMFORD	HCI444ES-S4L1D-E41/S4L1S-E4
Phase		3
Voltage	V	400/230
Wiring Type		3 Phase 4 wire, Y type
Bearing		1
Power factor		0.8
Frequency	Hz	50
Prime power	KW	260
Exciter Type		Brushless, self-excitation
Voltage regulation	%	±0.5
Protection Grade		IP 23
Insulation grade		H/H
Altitude	m	≤1000

Controller-DEEPSEA

Model	DSE6120MK3
-------	------------

Protective functions:

- Low oil pressure
- High water temperature
- High/low voltage
- High Engine Temperature and Overspeed.
- Voltage regulator frequency regulator
- Emergency stop
- Start failure



Control Module Options



- Auto generator control module
- Control module with "Three Remote Control" functions
- ATS auto load transfer screen
- Synchronising control modules
- Power output cabinet

Standard Features

- Engine(CCEC Cummins)
- Radiator 50°C max,fans are driven by bel
- 24V charge alternator
- Alternator: single bearing alternator IP23, insulation class H/H
- Standard auto control system
- One set of air filter, fuel filter, oil filter
- Main line circuit breaker/MCCB
- Base fuel tank
- Two 24V batteries, rac and cable
- Exhaust system(Ripple flex exhaust pipe, exhaust siphon, flange, muffler)
- User manual

Options

- Battery charge
 - Engine heater
 - Alternator heater
 - PMG
 - Water oil separator
 - Daily fuel tank
 - Remote control panel
 - Automatic transfer switch/ATS
 - Switch box
- Standard: ● Options:○

Warranty*

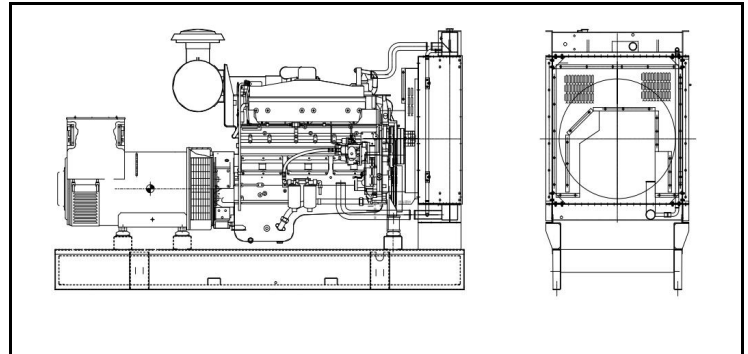
Cummins Engine

12 months from date of purchase and 1000 hours.

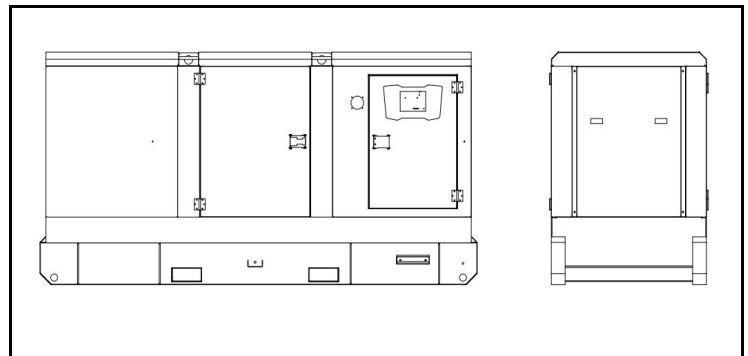
Generator

12 months from date of purchase or 1000 hours (whichever occurs first).

Unit Dimensions(Basic unit)



Open Type		
L*W*H	mm	3150*1100*1950
Weight	kg	3350



Silent Type		
L*W*H	mm	3988*1400*2250
Weight	kg	4900